

ONDURA[®] PREMIUM 10

INSTALLATION
INSTRUCTIONS

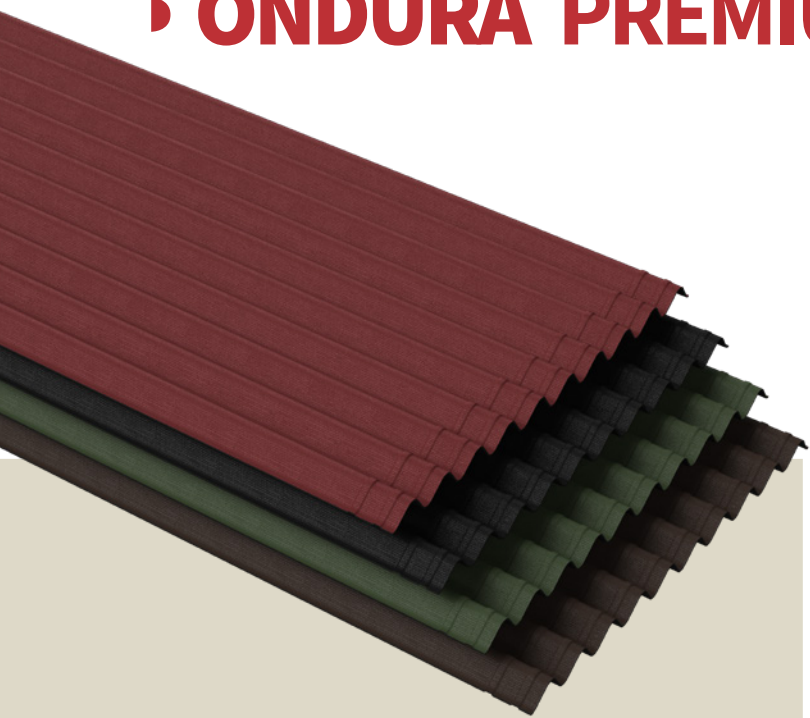



Made
by me!



Onduline[®]
Lightweight roofing systems

ONDURA® PREMIUM 10



COLOR OPTION



TECHNICAL CHARACTERISTICS

LENGTH	79 inches
WIDTH	38 inches
THICKNESS	1/8 inch
CORRUGATION HEIGHT	1.5 inches
CORRUGATION PITCH	3.8 inches
PRODUCT SURFACE	20.8 ft ²
WEIGHT OF PANEL	14.4 lbs.
WEIGHT OF GROSS SURFACE	0.69 lbs./ft ²
CORRUGATIONS	10
OVERLAP	4 inches
NET COVERAGE AREA	≈5.65 panels/100ft ²

FAST AND EASY INSTALLATION FOR ALL TYPES OF PROJETS

-  **No special tools required**
-  **Lightweight for easy transportation**
-  **No sharp edges**
-  **Install over purlins, solid decking, or shingles to save time**
-  **Embossment lines to help reduce material waste and cost**
-  **Wind resistant up to 160 MPH****



* See terms and conditions on tuflex-ondura.com
 ** Test made by independent third party Belgian Building Research Institute (BBRI): DE 651XM223 CAR 15070/1 (29) Metal Purlin = 3000Pa (225 km/h) -DE 651XM223 CAR 15070/2 (29) Wood Purlin = 4000Pa (260 km/h)

THANK YOU for choosing ONDURA® PREMIUM SERIES for your roofing project.

ONDURA® should be carefully installed. Mistakes during the installation process can cause problems later and impact the warranty. Please take the time to closely follow these installation guidelines.

CAUTION Installation of roofing materials can be dangerous. Danger typically increases as the steepness of the roof pitch and the height from the ground. Inclement weather conditions and numerous other factors can also contribute to the relative danger. We strongly recommend that anyone installing ONDURA® or working on a roof in any manner take all possible precautions to ensure their personal safety at all times. Be sure ladders and other such devices are safely positioned and properly secured. OSHA recommends the use of a safety harness when applying roofing. Protective eye-wear is recommended when using power tools and throughout the ONDURA® installation. ONDURA® may be slippery when wet, dusty, frosty, or oily. Please avoid working or walking on the roof if any of these conditions exist. We recommend you do not attempt to install ONDURA® during storms, high winds, or other dangerous conditions.

PROJECT PLANNING & REQUIREMENTS

► **THIS GUIDE PROVIDES INSTRUCTIONS FOR 3:12 SLOPE OR GREATER**
Minimum Slope Possible = 2:12 with additional waterproofing

Always review and comply with local building regulations and safety guidelines.

ONDURA® can be installed over most existing roofing, on plywood/OSB, or on purlins depending on slope and snowload.



► STORAGE

ONDURA® panels must be covered to protect from damage from stagnant rainwater between the panels. Do not allow stacked panels to get wet while stored.

► CUTTING PANELS

ONDURA® panels may be cut with a utility knife when parallel to the corrugation. Use a hand or circular saw with the colored side down when cutting across the corrugation. For best results, mark with pencil and use lubricating oil as cutting.

► TOOLS REQUIRED



CAUTION

DO NOT stand directly on the corrugations
DO NOT steam or pressure clean ONDURA® panels

COMPONENTS & ESTIMATING GUIDE

PRODUCT	10 CORRUGATIONS
ONDURA® PREMIUM 10	Total Sq. Ft. x 5.7
Number of panels	100
ONDULINE® FASTENERS	32 per panel
Fasteners per panels	Includes up to 13 fasteners used in the overlap with adjacent panels or ridge

► ACCESSORY ESTIMATION

NUMBER OF RIDGES FOR PROJECT

Total Ridge Length (inches) + 4 inches
 32.5 inches

NUMBER OF CLOSURE PACKS FOR PROJECT

2 x Total Ridge Length (inches) + Total Eave Length (inches)
 176 inches

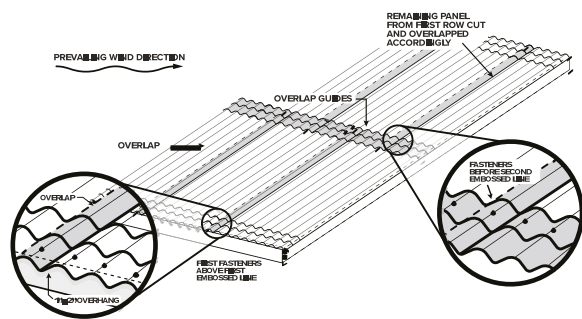
INSTALLATION STAGE

If possible, we recommend placing the first row of ONDURA® panels on the roof to confirm coverage overlaps before installation of the panels.

► PLACEMENT OF ONDURA® PANELS

If more than one row of ONDURA® panels is needed, then the panels must be installed along the eave first. Then additional rows are installed above the previous row.

Stagger the position of the corrugation overlap for each row by starting the second row with a panel that has fewer corrugations. As a general guide, using an ONDURA® panel cut in half (parallel to corrugation) is typically a good way to begin the second row. Then repeat the pattern until reaching the ridge.



Each row should be installed with the first panel at the opposite end of the roof from the prevailing winds. With this orientation, the seam of the overlap will face away from the prevailing winds. If wind-driven rain could come from both directions, then we recommend sealing along the overlap with an elastomeric caulk.

► PANEL ALIGNMENT

Place first ONDURA® panel on roof. Align the ONDURA® panel to the rake edge. Align the eave edge of the ONDURA® panel to overhang the eave by 1 to 2.5 inches.

► CLOSURE STRIP POSITION

Place closure strips under the ONDURA® panel with the curved side up to fill the corrugations. The closure strips must be placed where the fasteners will be located so that the fasteners will securely hold the closure strips in place.

Tip: To help hold closure strip in place, adhere strip to the deck or panel with spray adhesive prior to applying fixation.

► FASTENER POSITIONING

Genuine ONDULINE® Fasteners are recommended for use on all ONDURA® products. ONDULINE® Fasteners are specially designed to seal around the fixation point and are color matched.

For your concluding row and when overlapping panels, place a fastener in every corrugation.

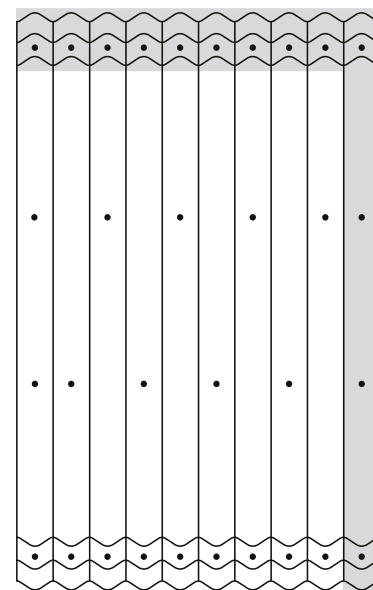
For overlapping sections (indicated in grey on the illustrations below) place a fastener in each overlapping corrugation at every point as shown in the diagrams below. Make sure the panels and/or ridge caps are properly aligned before fastening in the overlapping sections.

See example diagrams below. Grey indicates overlap.

► For Even Number of Corrugations:

1. Place fastener in every corrugation of starting row.
2. In next row of fasteners, begin with the first AND second corrugations.
3. In next row of fasteners, begin with the first corrugation and then place fasteners in the corrugations the previous row skipped. Conclude with the last corrugation.
4. Place a fastener in every corrugation of the last row.

ODD NUMBERED PANEL CORRUGATIONS



INSTALLATION STAGE (CONTINUE)

► FASTENER INSTALLATION

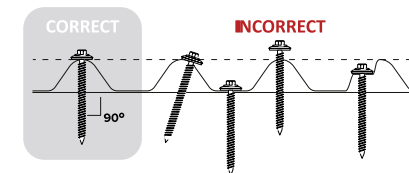
Drive ONDULINE® screws only through the crown of the corrugation and always perpendicular to the roof's surface. Be careful not to overdrive the screw. The rubber washer on the screw should snugly contact the panel without dimpling the panel. When appropriately installed, slight hand pressure on an affixed corrugation should not separate the panel from contacting the washer.

Install screws on the first panel along the eave and rake edges. Install screws at remaining positions that are not going to be overlapped by other panels.

Place next piece of ONDURA® on to the roof:

- The panels must overlap by at least one corrugation along the direction of the eave.
- The panels should overlap by aligning the embossment guide following the direction of the rake edge.

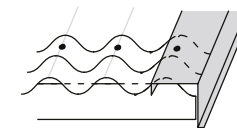
Install screws on the next panel in the same manner as the first panel. For the last panel in a row, install in the same pattern as previous panels and in the final corrugation along the rake edge.



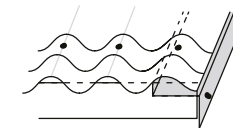
► RAKE TRIM

Finish your rake edge with metal flashing, either over or under the last corrugation edge of the ONDURA® panel. When using metal flashing under the last corrugation, be careful to avoid fastening through your flashing.

Metal Flashing Over



Metal Flashing Under



Alternatively, you could use a one corrugation strip from an ONDURA® panel under the last corrugation edge, or secure the last corrugation directly to a raised rake edge.

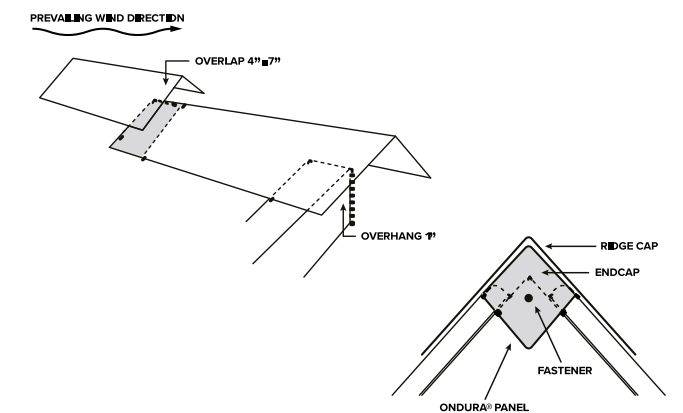


► RIDGE CAP

Note: Install all panels on both sides of the roof before installing the ridge cap.

Measure the ridge to determine the required coverage. Ridge caps are 39.5 inches long. If more than one ridge cap is needed, they must be installed with a 7 inch overlap. The overlap must be over a corrugation so that the overlap is fastened with a screw through the corrugation. For resistance to wind uplift, the exposed end of the ridge cap must be no more than 3 inches from the closest screw position on a corrugation.

Place the first ridge cap at the ridge end, away from the prevailing wind. Allow for at least a 1-inch overhang over the ridge end.



Insert ridge closure strip on the ONDURA® panel and under the ridge cap after all ONDURA® panels have been placed.

The closure strip must be placed where the fasteners will be located to secure the closure strip. The center of the closure strip should be 1-inch above the lowest end of the ridge cap.

Install fasteners through the ridge cap and closure through every crown (top of corrugation) of the underlying panel. The fasteners should be 1 inch above the lower edge of the ridge cap. Do not install the ending fasteners until your ridge is capped with an endcap.

Allow for 1/2 to 2 inches of overhang at each end of the structure, beyond the edge of the roof panels or any drip edges. Where necessary, cut the overhang portion of the ridge cap along the crown with a utility knife.

Create an endcap to prevent water intrusion by using excess ONDURA® ridge cap or other materials (such as wood or exterior metal) to cover the peak area under the ridge as shown. Cut the endcap to any shape you find aesthetically pleasing provided it follows these guidelines:

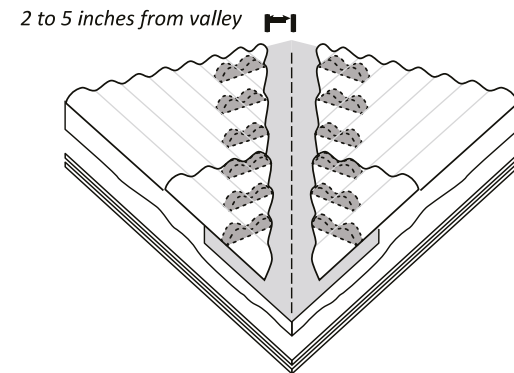
- Ensure the top point fits snugly into the underside of the ridge cap
- The ridge cap should come over the top of the end cap
- The corners on the left and right sides should cover the ONDURA® panels, with the left and right points slightly below the lowest point where the panels terminate.

If you used ONDURA® material to create your end cap, affix your end cap with 1 to 3 ONDULINE® color match fasteners, positioning may vary based on your endcap size and on your roof structure. If there is excess ridge cap overhang beyond your endcap you may trim it down, provided the ridge cap covers the top of the end cap in its entirety.

ADVANCED INSTRUCTIONS

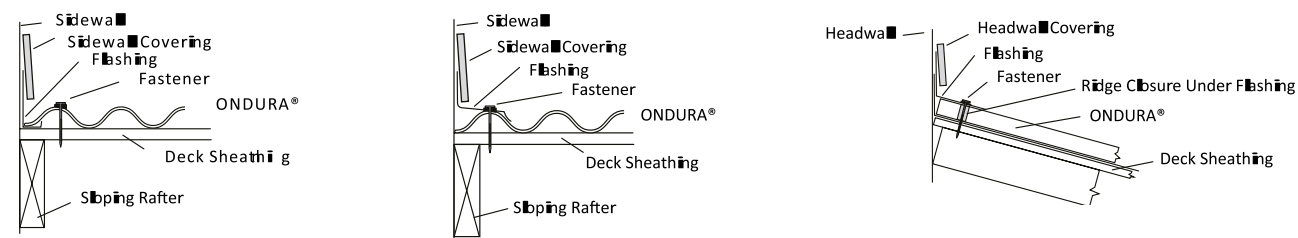
▶ VALLEY FLASHING

For valleys, install a minimum 18-inch wide metal valley flashing. Cut sheets at an angle to fit the valley; then turn over, and on the undersides along the valley edge, caulk two corrugations of the ONDURA® closure strip, and place into the corrugation. Then put a ½-inch bead of caulking on the flat side of the closure strips and along the corrugation of the sheet between the closure strips. Turn sheets right side up, carefully lay in place so caulked closures seat on flashing, and fastener in place at least 12 inches up from the center of valley without puncturing the metal flashing.



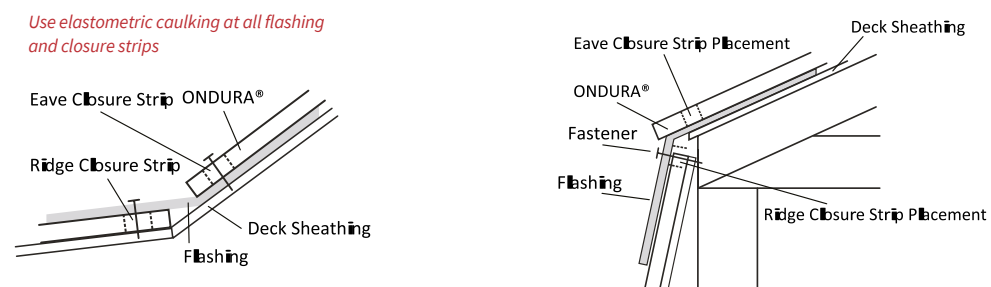
▶ WALL FLASHING

See the examples below for when ONDURA® panels meet a wall.



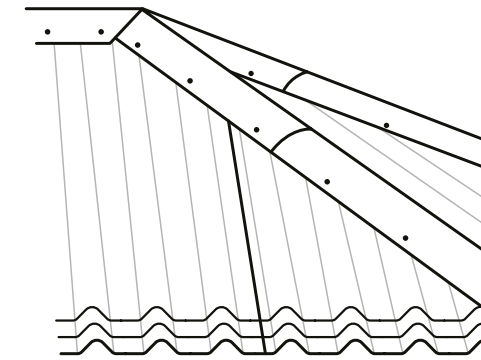
▶ SLOPE CHANGES

Flashing width should increase as slope differences increase or whenever water buildup on the lower slope can be substantial.

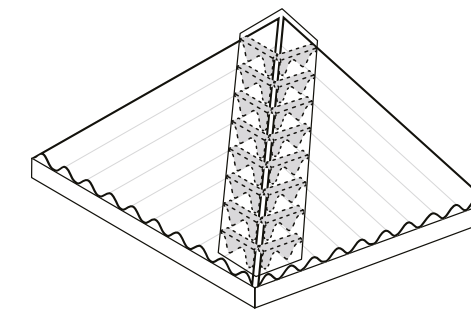


▶ HANDLING HIPS

For hips, sheets from either side must meet to support hip cover. To cover the hip, use an ONDURA® Ridge Cap. Framing should be in place beneath and near enough to the upper ends of the screws securing the hip cover.

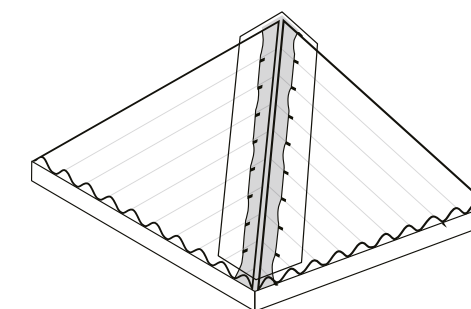


Snap chalk lines on each side of the hip to mark the area of the hip cover. See diagrams.



› Closure Strips

Cut one hip section or two corrugations from the ONDURA® closure strip. Attach to the top side of the ONDURA® sheet with rubberized elastomeric flashing cement/caulk. Install with 7-inch end laps.



› Butyl Tape Method

Seal top with single-sided butyl flashing tape. Then install the hip cover with 7-inch end laps over the flashing.

Exclusive distributor for
the USA & Canada



tuftex-ondura.com



Onduline reserves the right to amend product specifications without prior notice. Product thicknesses shown in this document should not be taken as being available ex-stock and reference should be made to the current Onduline price-list or advice sought from Onduline Customer Service Department. The information, technical details and fixing instructions etc. included in this literature are given in good faith and apply to uses described. Recommendations for use should be verified for suitability and compliance with actual requirements, specifications and any applicable laws and regulations. For other applications or conditions of use, Onduline offers a Technical Advisory Service, the advice of which should be sought for uses of Onduline products that are not specifically described herein. To ensure you are viewing the most recent and accurate product information, please scan the QR code directly above.



ONDULINE

5-7 Rue Frédéric Clavel
92150 Suresnes
FRANCE

onduline.com



Onduline®
Lightweight roofing systems